



ImageWorks

Generations of Imaging

SDC
INTRASKAN DC



DARBY DENTAL SUPPLY, LLC



ENDOSACP



ImageWorks
Generations of Imaging

Endos ACP: Optimized Parameters

The sophisticated Endos ACP timer allows the selection of optimum exposure parameters using pre-programmed anatomical techniques. The choice of the diagnostic target is easily achieved in two quick steps: Choose the size of the patient from the three available and choose the dentition area to be examined. At the touch of a key a specific modality may be chosen which optimizes exposure times for use with any digital acquisition system.

Flexibility

Endos can be configured with a remote timer allowing you to set all the exposure parameters outside the examination room for staff safety.

Safety

Endos x-rays incorporate advanced self-diagnostics which alert the operator to any problems that may arise. A special safety device eliminates the risk of unintended exposures inhibiting the X-ray when the unit is not in use.

Hygiene

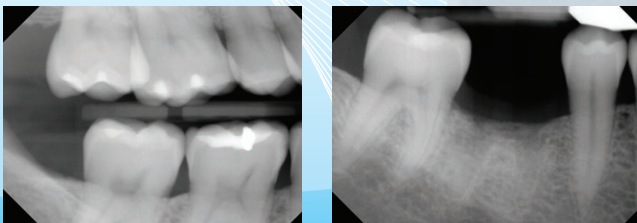
All materials have a glossy finish and have been chosen for quick and easy cleaning to maintain the hygiene of your working environment, and to provide years of lasting durability.

New Arms

Endos arms have been specifically designed for easy positioning. The craftsmanship accompanies their stability providing smooth use day after day. Endos arms are available in three different extension lengths to accommodate any reach.

Customizable

Endos tailor-fits every operatory, practice and system by letting the user select pre-set exposure times and mA values for each anatomical exposure setting.



By incorporating innovative technologies with the latest dual microprocessors, **INTRASKAN DC** has the power and intelligence to enhance the experience for both clinicians and patients. Excellent quality X-rays are produced by the 100 kHz high-frequency generator with a minimal dose. The DC system significantly reduces harmful soft radiation, compared to conventional AC type machines. **INTRASKAN DC** can also be mounted on a mobile stand for safe, quick transport and convenience.



Discover the Benefits:

- ✓ 0.5mm focal spot
- ✓ Versatile operation with precise positioning
- ✓ Refined ease of movement
- ✓ Shorter times between exposures
- ✓ In-Operator or Remote timer options
- ✓ Fully programmable operation yet manually adjustable to suit individual preferences
- ✓ Three arm sizes to fit various operatories
- ✓ Switch instantly between adult and child or film and digital sensor settings
- ✓ Available as a wall-mounted or mobile unit

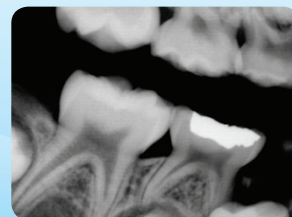
The smooth, Drift-Free Positioner allows one to trigger the exposure from a distance without the concern of shift in Image position during exposure.

The long Scissor arm enables reaching two patients in adjacent chairs.

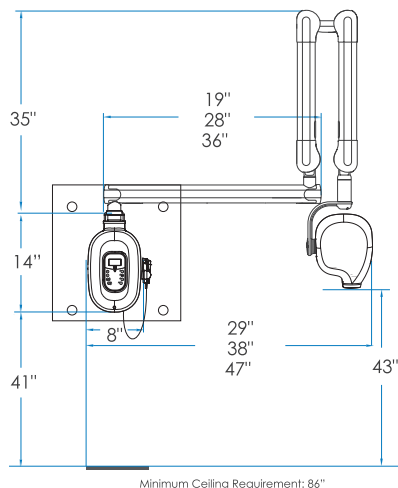
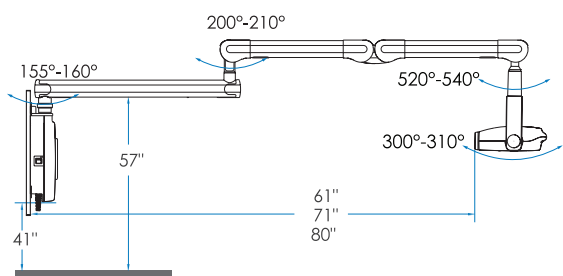
The unit draws clean power from the mains, consumes negligible energy in standby mode and conserves energy with reduced exposure time compared to AC machines.

INTRASKAN DC's exclusive LCD display with its large, bright screen displays technique information clearly from any angle. Easy to understand icons quickly identify tooth, receptor type and patient size.

Thirty pre-programmed technique settings streamline set-up and preparation for every procedure and every receptor.



INTRASKAN DC Specifications



INTRASKAN DC Product Data

Line Voltage	110V ± 10% 60 Hz
Tube Potential	55 to 70 kVp
Tube Current	4 to 8 mA
Exposure Time	0.04 to 4 seconds
Min. Inherent Filtration	2mm Al Eqv. @ 70 kVp
Focal Spot	0.5mm (IEC 336)
Duty Factor	1:15
Shipping Weight:	
Wall Mount	100 Lbs
Mobile	170 Lbs
Applicable Documents	21 CFR, UL
Federal Regulations	
Warranty	2 Years, Limited
Options	Choice of ARM reach - 61", 70", 79"
Accessories	Remote Timer
	3" Additional Cone (Optional)
Mounting	Suitable for single or two stud wall or mobile

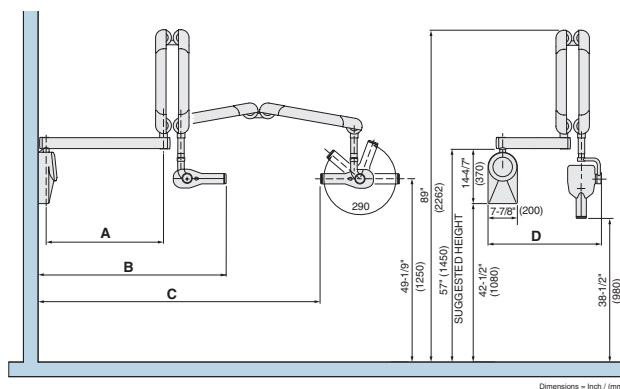
Contact your ImageWorks representative for additional system requirement information.



To Reorder Call 800.645.2310
or Visit darby.com



ENDOS ACP Specifications



ENDOS ACP Dimensional Data

TOTAL REACH (B) WITH EXTENSION ARM LENGTHS (A):		
Short arm = 11-13/16"	(30cm)	30-7/8" (78.5 cm)
Medium arm = 23-5/8"	(60cm)	42-3/4" (108.5 cm)
Long arm = 31-1/2"	(80cm)	50-5/8" (128.5 cm)
TOTAL INSIDE REACH (C) WITH EXTENSION ARM LENGTHS (A):		
Short arm = 11-13/16"	(30cm)	56-5/16" (143 cm)
Medium arm = 23-5/8"	(60cm)	68-1/8" (173 cm)
Long arm = 31-1/2"	(80cm)	76" (193 cm)
TOTAL PARKED REACH (D) WITH EXTENSION ARM LENGTHS (A):		
Short arm = 11-13/16"	(30cm)	25 11/16" (65.2 cm)
Medium arm = 23-5/8"	(60cm)	37 1/2" (95.3 cm)
Long arm = 31-1/2"	(80cm)	45 3/8" (115.3 cm)

ENDOS ACP Product Data

Power supply	120V ± 10% 60Hz
X-ray tube	70kV, 8mA
Focal spot	0.8mm IEC 336
Focus to skin distance	20cm (7-7/8") standard / 30cm (11-13/16") with optional collimator cone extension
X-ray field (at collimator tip)	Diameter 60mm (2-3/8") / 35x45mm (1-3/8"x1-3/4") with optional diaphragm
Duty cycle	1:32
Exposure times	0.02 to 3.2s in 32 steps
Anatomic programs (ACP only)	30 pre-set times
Shipping weight	80 Lbs (36 Kg)
Warranty	2 years, Limited